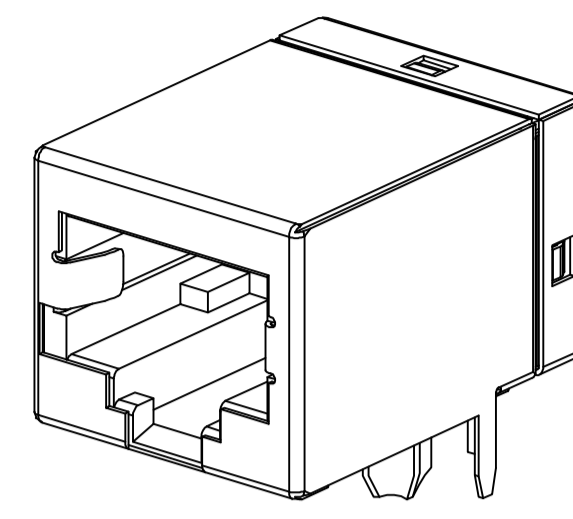
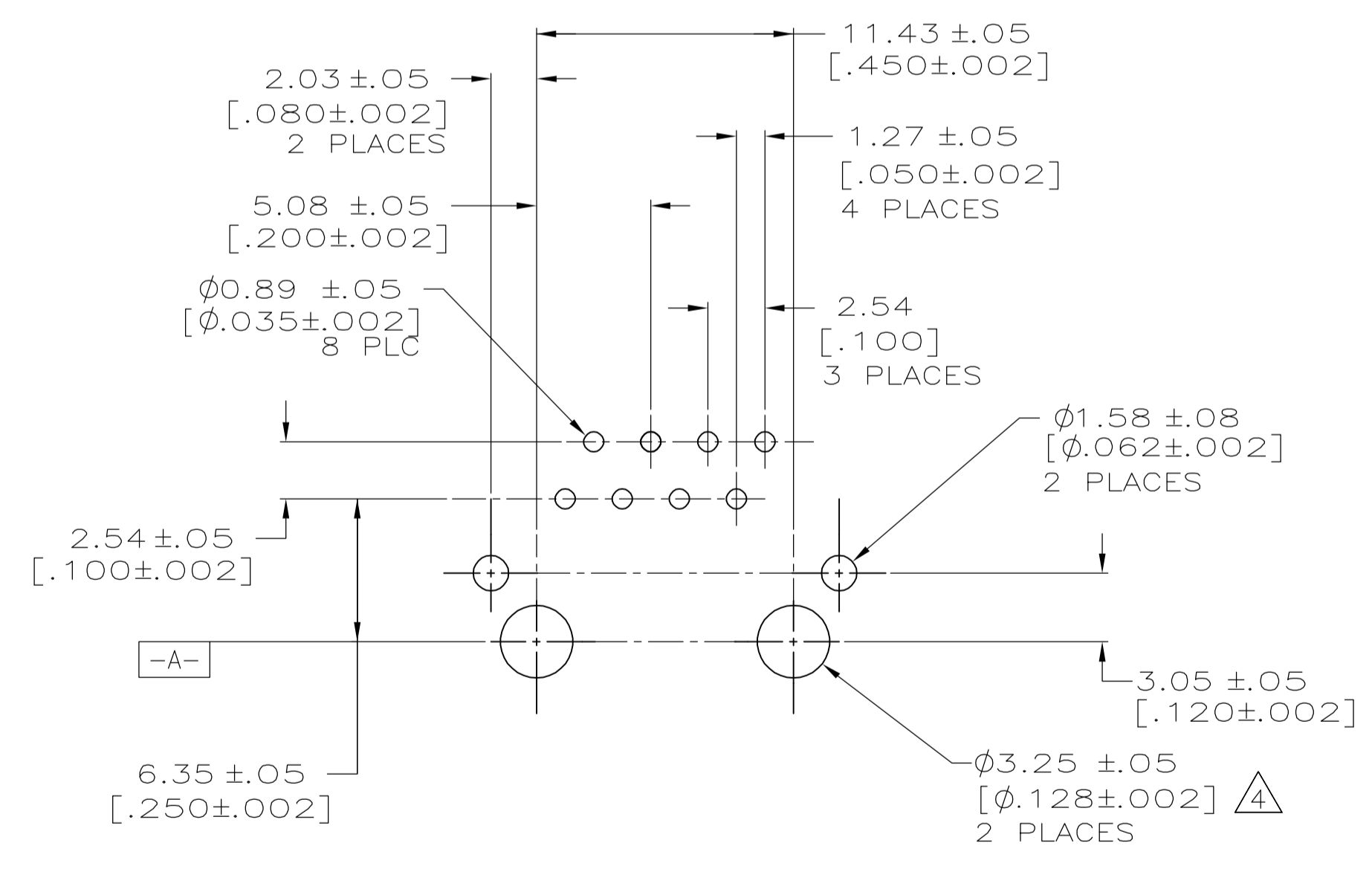
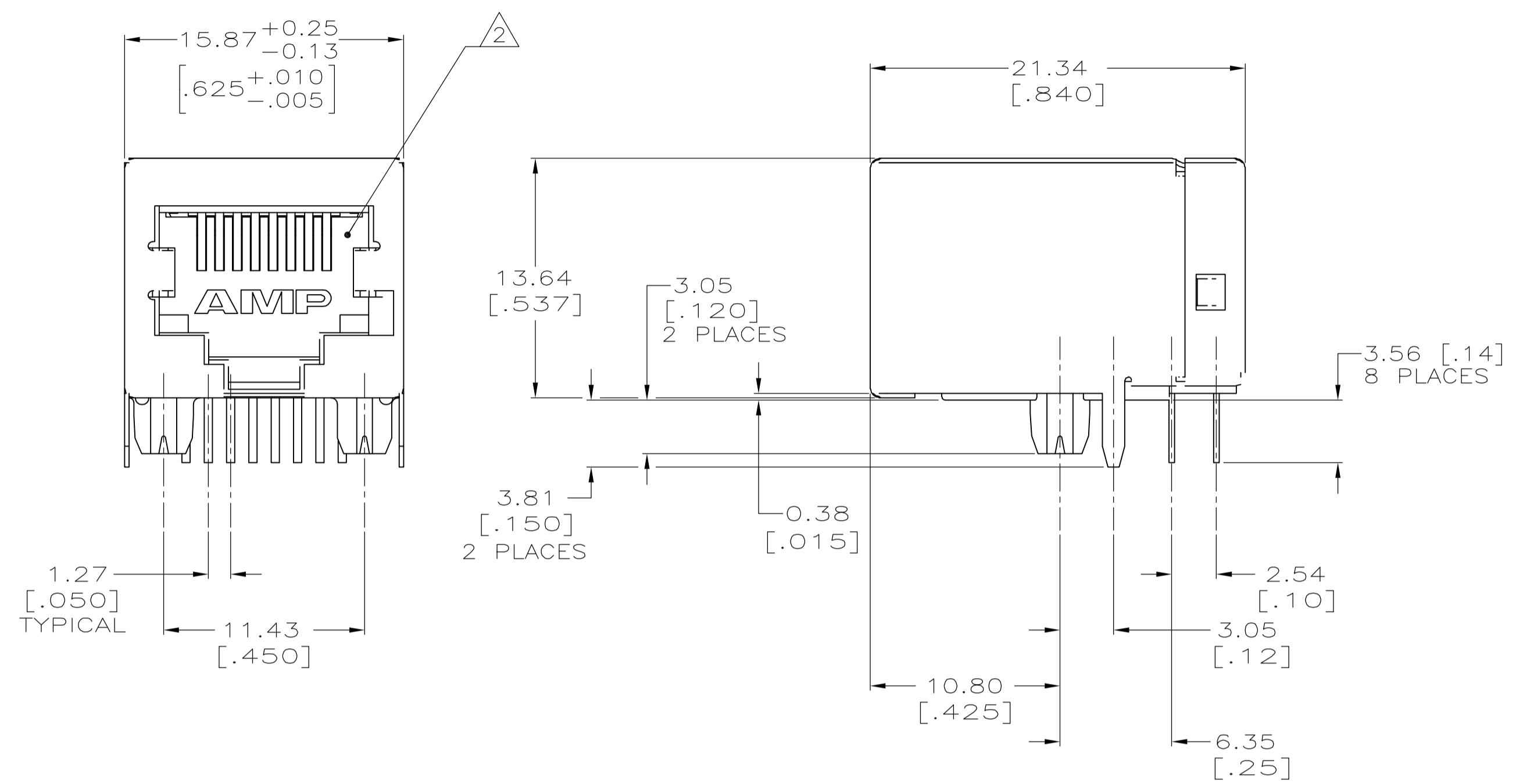


LOC	DIST	REVISIONS			
AA	22	REV	PER	DATE	BY
B		REV PER	ECO-07-007661	04APR07	JRP JW

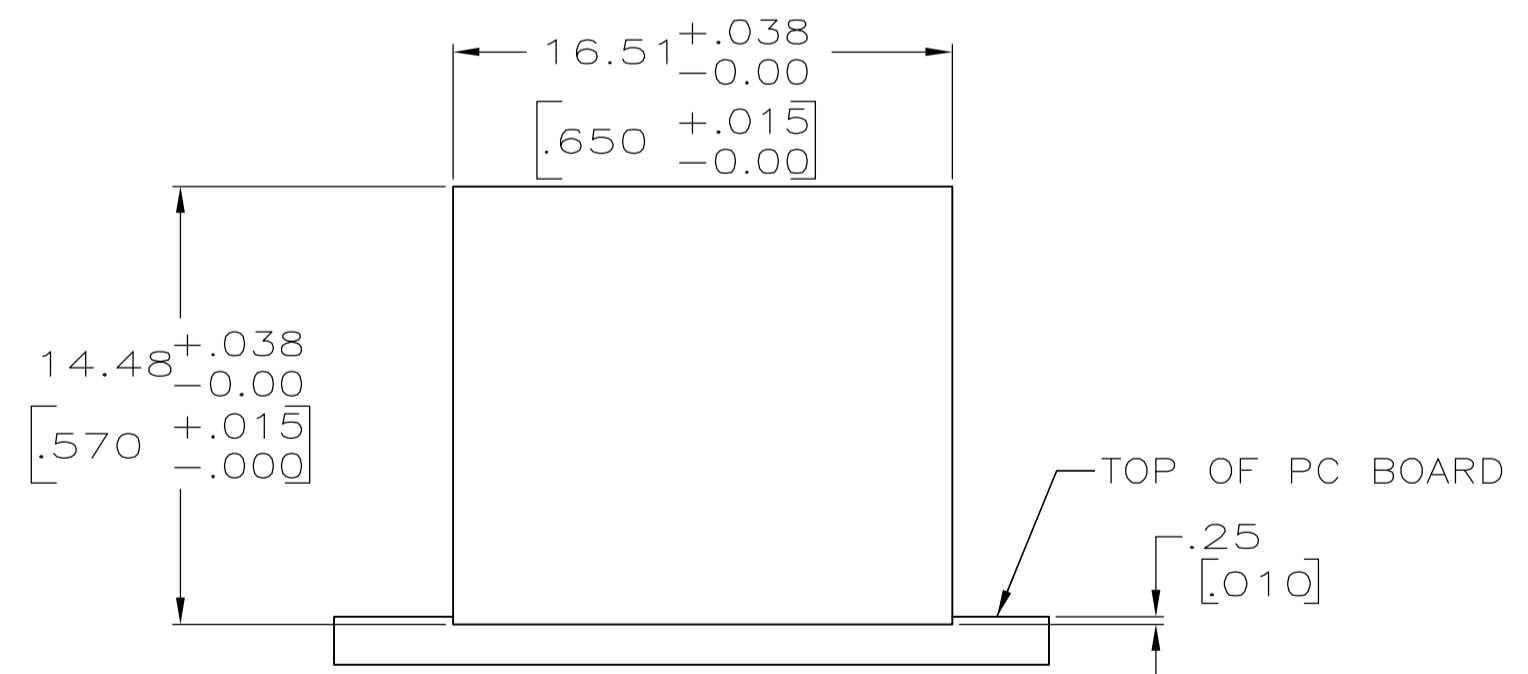
- ① MATERIAL: HOUSING - PCT POLYESTER, BLACK, UL 94V-0, IR COMPATIBLE.  
 TERMINALS - 0.33[.013] THICK PHOS BRONZE PLATED WITH 1.27 $\mu$ m[.000050] MINIMUM THICK HARD GOLD IN LOCALIZED AREA AND 3.81 $\mu$ m[.000150] MINIMUM THICK MATTE TIN IN SOLDER AREA OVER 1.27 $\mu$ m[.000050] MINIMUM THICK NICKEL UNDERPLATE.  
 SHIELD: .254mm[.010] THICK COPPER ALLOY PLATED WITH 2.03 $\mu$ m[.000080] MINIMUM BRIGHT TIN OVER 1.27 $\mu$ m[.000050] MINIMUM NICKEL.
- ② JACK CAVITY CONFORMS TO FCC RULES AND REGULATIONS, PART 68 SUBPART F.
- 3. ALL DIMENSIONS SHOWN ARE NOMINAL UNLESS OTHERWISE SPECIFIED.
- ④ USE #30 DRILL BIT OR 3.25mm DRILL BIT WHEN PRODUCING THESE PCB HOLES.



SCALE 2:1



SUGGESTED PC BOARD LAYOUT  
(COMPONENT SIDE)



SUGGESTED PANEL CUTOUT

5557786-1  
PART NUMBER

THIS DRAWING IS A CONTROLLED DOCUMENT.		DIN G. ATTADIA - 15JUN2005 CHK J. WESTMAN - 15JUN2005 APVD S. FLICKINGER - 15JUN2005	<b>tyco</b> Electronics Tyco Electronics Corporation Harrisburg, PA 17105-3608
DIMENSIONS: mm[inches]	TOLERANCES UNLESS OTHERWISE SPECIFIED: 0 PLC ± - 1 PLC ± - 2 PLC ± 0.25[.010] 3 PLC ± - 4 PLC ± - ANGLES ± -	NAME S. FLICKINGER PRODUCT SPEC 108-1163 APPLICATION SPEC 114-2048	MODULAR JACK ASSEMBLY, 8 POSITION, RIGHT ANGLE, LOW PROFILE, SHIELDED, PC BOARD GROUND
MATERIAL	FINISH	WEIGHT - CUSTOMER DRAWING	SIZE A1 SCALE 4:1 SHEET 1 OF 1 REV B